

Terese's Top Works, Inc.

Custom Tops Order Form

General Information

Company	Supplied		Installed	Location
Contact Name				Email Address
Customer/Job Name				Purchase Order
Order Submittal Date				Requested Completion Date
Order Type	Supplied	Installed		

Order Details



Profile Types:	Afton	Barcelona	Caprice	Classic	Futura
	Geneva	Marbella	Nova	Ora	Square Edge
	Texas Tempo	Tiburon	Valencia		

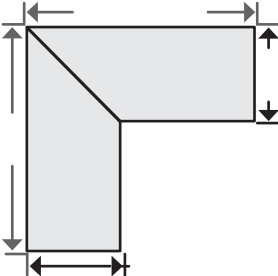
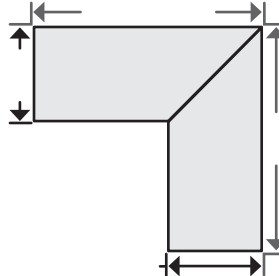
Endsplash:	Contoured	Square Edge
-------------------	-----------	-------------

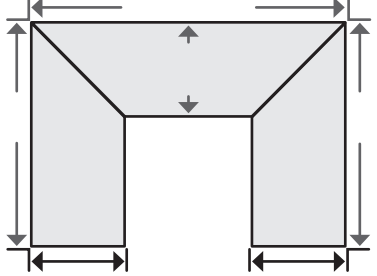
Sink Information:	Manufacturer	Model #		
	Cut Out Size	Centerline Top #	Right	Left

Stove Information	Cooktop	Slide-In	Drop-In	
	Make		Model #	
	Cut Out Size	Centerline Top #	Right	Left

Counter Top Measurements

Option #1	Laminate Color #	Option #2	Laminate Color #
Cap		Cap	
Raw		Raw	
Bar		Bar	

Option #3	Laminate Color #	Option #4	Laminate Color #
	Cap	Cap	
	Raw	Raw	
	Bar	Bar	

Option #5	Laminate Color #	
	Cap	Cap
	Raw	Raw
	Bar	Bar